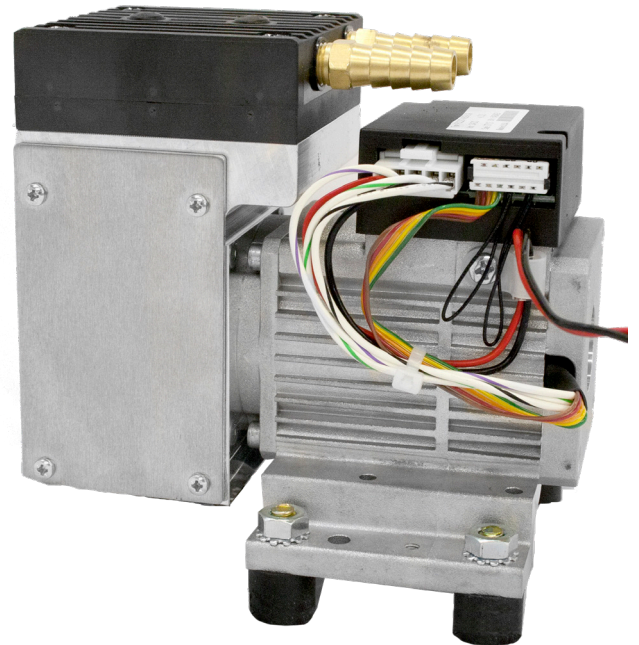
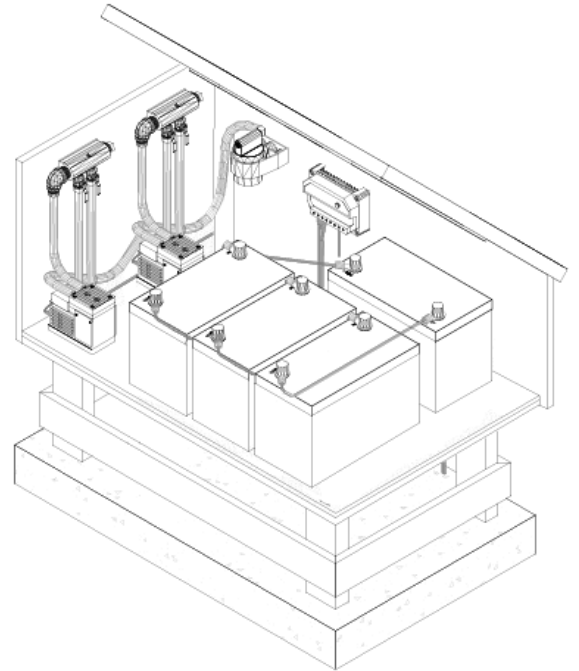


### Usage at 5200' Elevation

Water Depth (Feet)	Power (A)	Air Flow (CFM)	Air Flow (CFH)
0	1.2	1	60
1	1.2	0.99	59
2	1.4	0.95	57
3	1.5	0.94	56
4	1.55	0.92	55
5	1.65	0.9	54
6	1.7	0.88	52
7	1.7	0.83	50
8	1.7	0.79	47
9	1.7	0.76	45
10	1.75	0.73	44
11	1.75	0.7	42
12	1.75	0.69	41
13	1.75	0.64	38
14	1.78	0.62	37
15	1.78	0.6	36
16	1.81	0.58	35
17	1.84	0.52	31
18	1.87	0.46	27
19	1.87	0.37	22
20	1.94	0.30	18
21	1.98	0.20	12
22	2.5	0.12	7
23	3	0	0



\* Elevation = 5,200', Max flow at sea level = 1.0cfm

